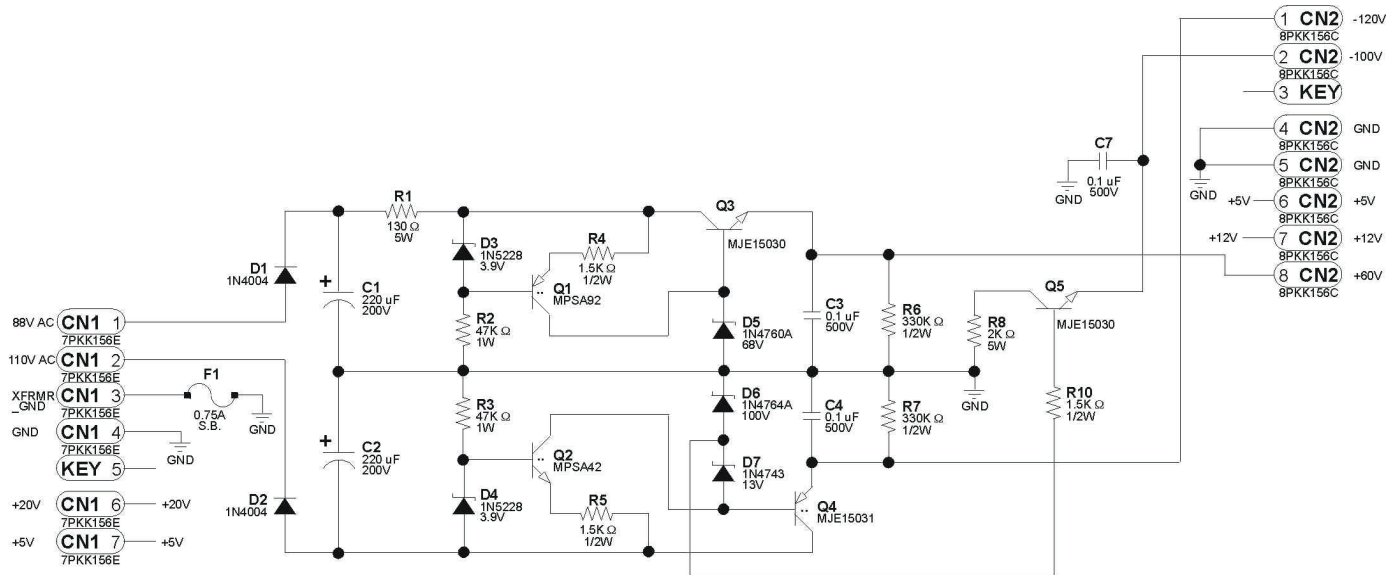
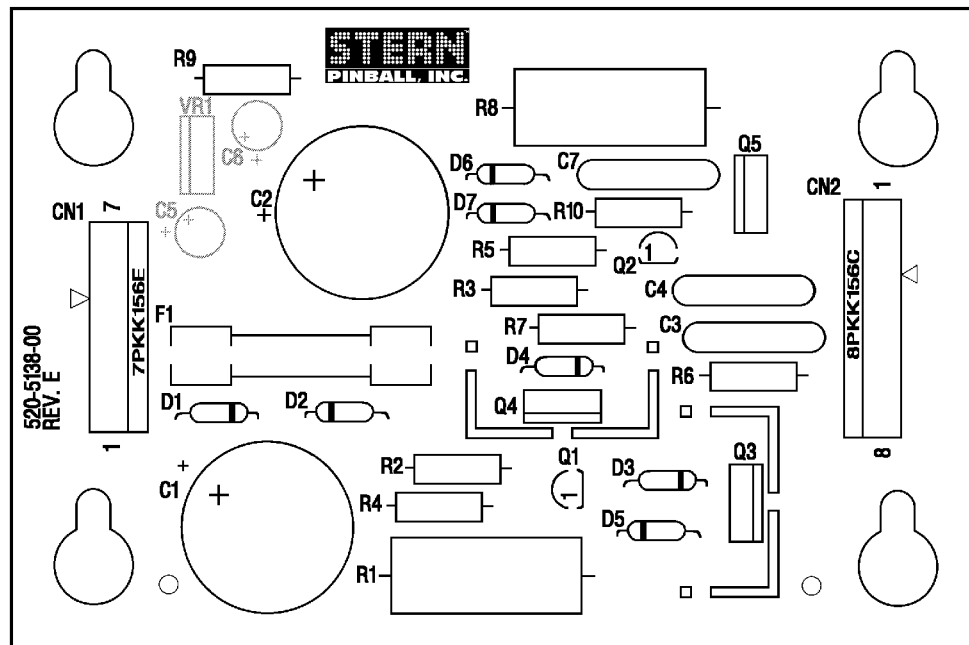


Display Power Supply Board Schematic



Display Power Supply Board Component Layout & Parts



| ITEM | QTY | PART NUMBER | REF-DESIGNATOR | DESCRIPTION (NS = Not Stuffed) |
|------|-----|--------------------|-----------------------------------|---------------------------------------|
| — | 1 | 520-5138-00 | Display Power Supply Board | Complete PCB Assembly |
| 1 | 1 | 200-5000-17 | F1 | 3/4A (0.75A) S.B. Fuse |
| 2 | 2 | 535-5000-11 | Q3, Q4 | Heatsinks - AAVID #563002 |
| 3 | 2 | 125-5044-00 | C1, C2 | 220uF, 200v, Radial Lytic Cap. |
| 4 | 4 | 121-5038-00 | R4, R5, R9, R10 | 1.5K Ω 1/2W Res. (R9: NS) |
| 5 | 2 | 121-5059-00 | R6, R7 | 330K Ω 1/2W Res. |
| 6 | 2 | 121-5060-00 | R2, R3 | 47K Ω 1W Res. |
| 7 | 1 | 121-5061-00 | R1 | 130 Ω 5W Res. |
| 8 | 1 | 121-5062-00 | R8 | 2K Ω 5W Res. |
| 9 | 2 | 112-0053-00 | D3, D4 | 1N5228, 3.9v, Diode |
| 10 | 1 | 112-0062-00 | D5 | 1N4760A, 68v, Diode |
| 11 | 1 | 112-0049-00A | D6 | 1N4764A, 100v, Diode |
| 12 | 1 | 112-0061-00 | D7 | 1N4743, 13v, Diode |
| 13 | 1 | 110-0100-00 | Q1 | MPSA92, Transistor |
| 14 | 1 | 110-0082-00 | Q2 | MPSA42, Transistor |
| 15 | 3 | 125-5035-00 | C3, C4, C7 | 0.1uF, 500v, Ceramic Disk Cap. |
| 16 | 1 | 110-0103-00 | Q4 | MJE15031, Transistor |
| 17 | 2 | 110-0101-00 | Q3, Q5 | MJE15030, Transistor |
| 18 | 0 | 125-5003-00 | C5, C6 | 22uF, 25v, Rad Lytic Cap (C5, C6: NS) |
| 19 | 0 | 124-5003-00 | VR1 | 7812CT (VR1: NS) |
| 20 | 1 | 045-5015-08 | CN2 | 8PKK156 (PIN3=KEY) |
| 21 | 2 | 112-5003-00 | D1, D2 | 1N4004, Diode |
| 22 | 1 | 045-5015-07 | CN1 | 7PKK156E (PIN5=KEY) |
| 23 | 2 | 240-5008-00 | Q3, Q4 | 6/32 KEPS Nut |
| 24 | 2 | 237-5501-00 | Q3, Q4 | 6/32 X 3/8" PPH Screw |
| 25 | 2 | 205-0004-00 | F1 | Fuse Clips |