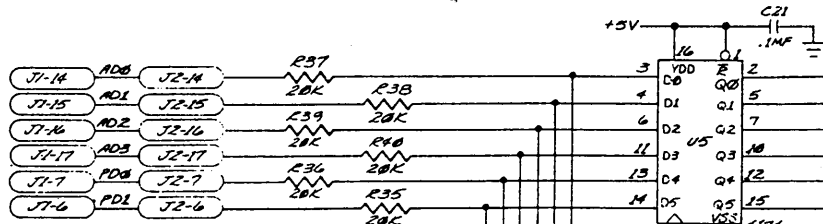
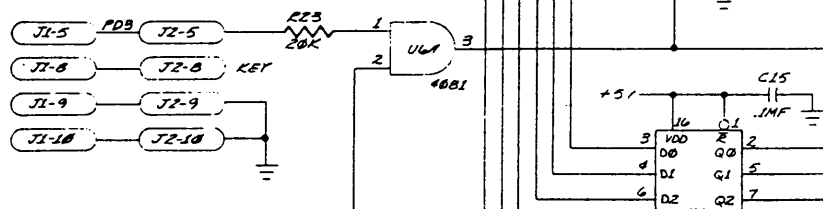


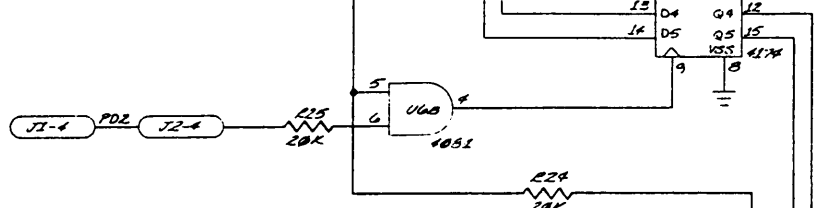
7



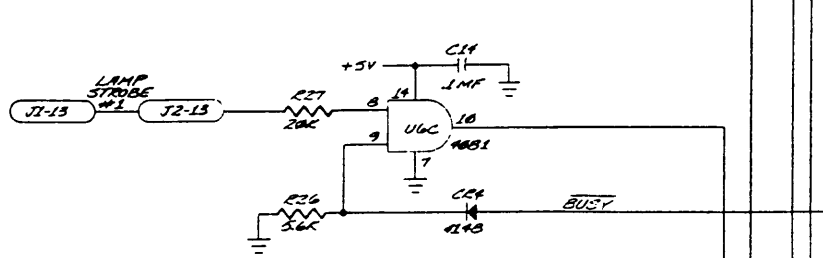
6



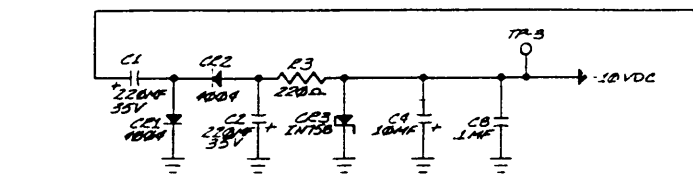
5



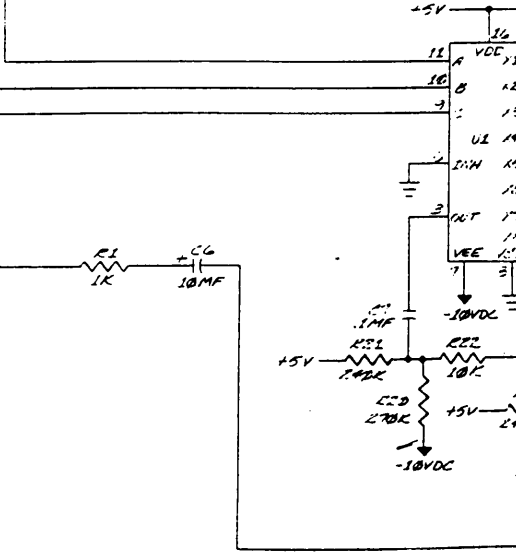
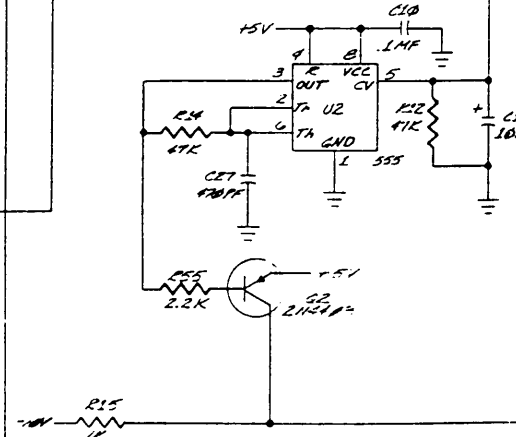
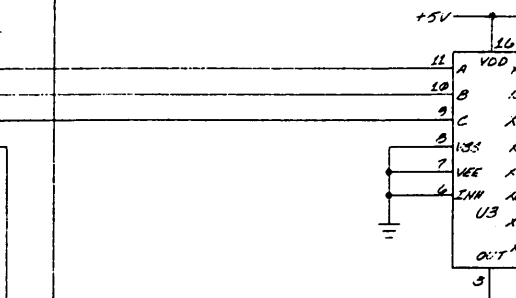
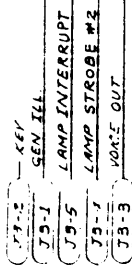
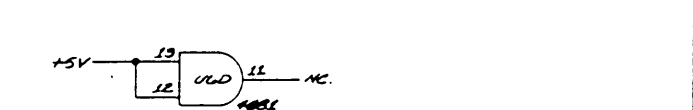
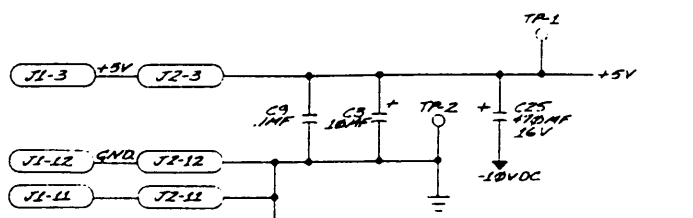
4



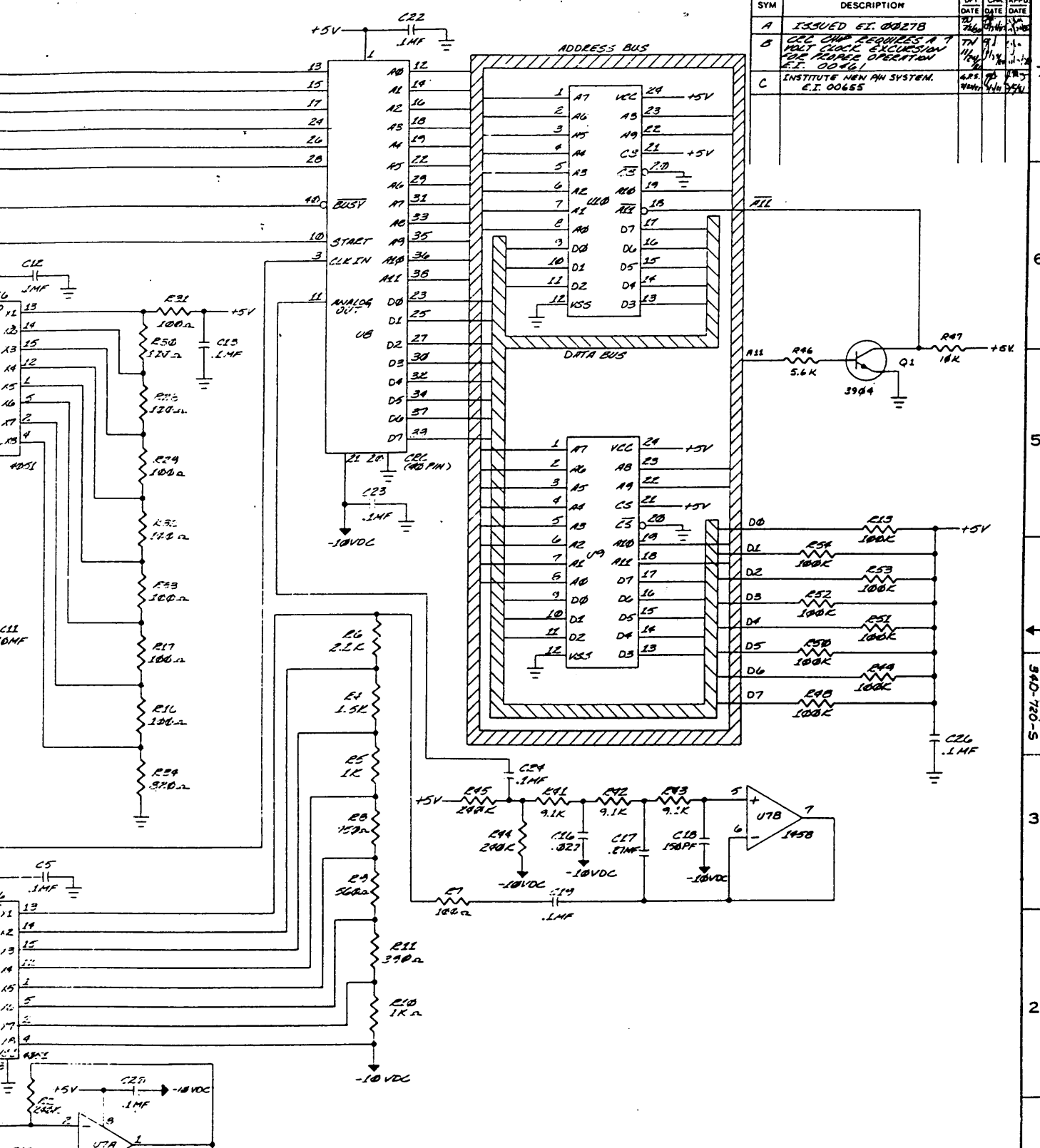
3



2



REVISIONS				
SYM	DESCRIPTION	DFT DATE	CHK DATE	APPD DATE
A	ISSUED E.I. 0027B	7/21/68	7/21/68	7/21/68
B	CIC CHIP REQUIRES A POST CLOCK EXCLUSION FOR FINISH OPERATION E.I. 0026L	7/11/68	7/11/68	7/11/68
C	INSTITUTE MEN AM SYSTEM. E.I. 00655	6/25/68	6/25/68	6/25/68



<p>THESE DRAWINGS AND SPECIFICATIONS ARE THE EXCLUSIVE PROPERTY OF URAL, A STERN ELECTRONICS COMPANY. ISSUED IN STRICT CONFIDENCE AND SHALL NOT WITHOUT THE PRIOR WRITTEN PERMISSION OF UNIVERSAL RESEARCH LABORATORIES BE REPRODUCED COPIED OR USED FOR ANY PURPOSE WHATSOEVER EXCEPT THE MANUFACTURE OF ARTICLES FOR UNIVERSAL RESEARCH LABORATORIES INC.</p>	MATERIAL	TOLERANCES UNLESS OTHERWISE SPECIFIED	<p>DR. T. M. LEAD 7/21/68</p> <p>CHK. J. H. HULL 7/21/68</p>	<p>URAL UNIVERSAL RESEARCH LABORATORIES INC. A STERN ELECTRONICS COMPANY 2501 UNITED LANE ELK GROVE VILLAGE, ILLINOIS 80007</p>	
	FINISH	<p>FRACTIONS: 1/16" DECIMALS: 0.001"</p> <p>HOLE DIA: 1/16" PLACE 1: 0.001" PLACE 2: 0.002"</p>	<p>SCALE: 1/8" = 1.0"</p> <p>MODEL: 131-100</p>		
	ALL DIMENSIONS ARE AFTER PLATING	ALL UNMACHINED SURFACES ✓	REMOVE BURRS & SHARP EDGES		<p>NAME: SCHEMATIC, VOICE SYNTHESIZER</p> <p>DWG. PART NO: 340-720-5</p> <p>SIZE: SHEET 1 X 1</p>
		DO NOT SCALE DRAWING			<p>REV: C</p>