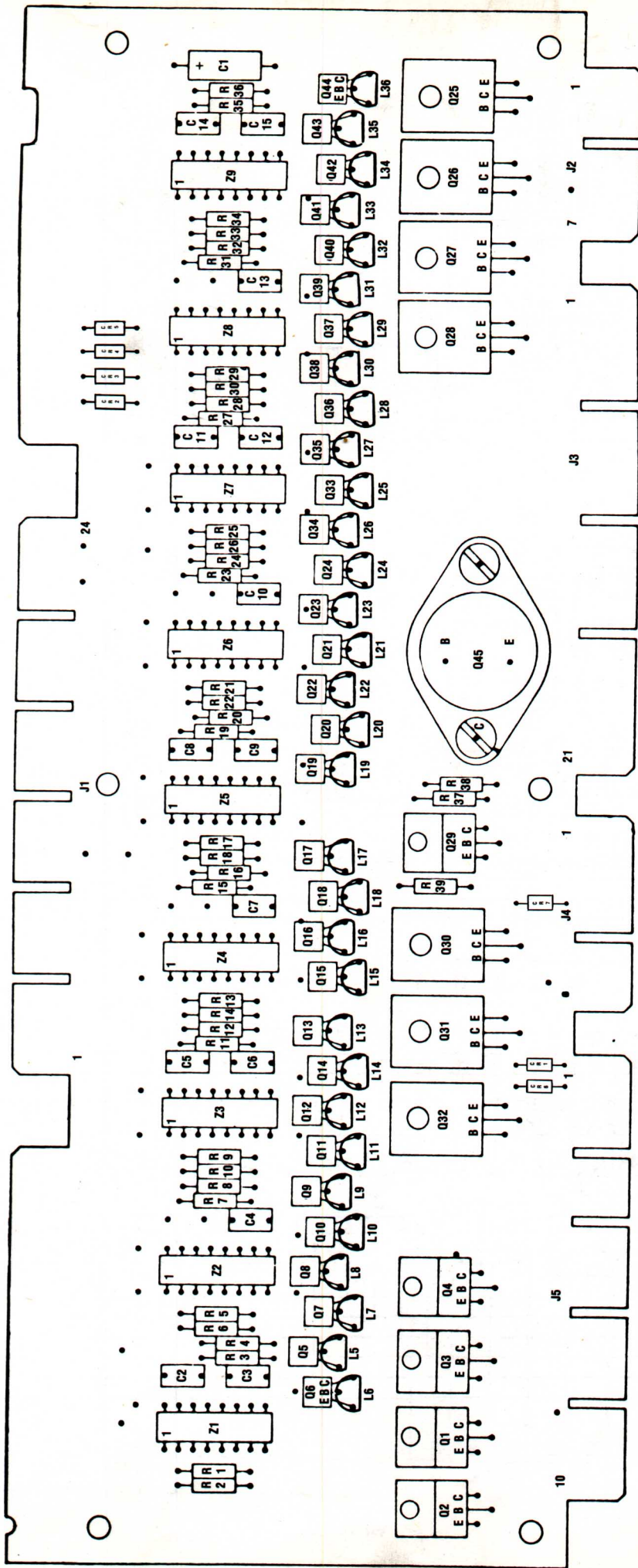


NOTE:
L5 TO L36 INDICATE LAMP ASSIGNMENT
SEE LAMP ASSIGNMENT PAGE FOR DESCRIPTION.



Q1—GAME OVER RELAY
Q2—TILT RELAY
Q3—HIGH GAME TO DATE
Q4—SHOOT AGAIN

Q25—KNOCKER
Q26—TENS
Q27—HUNDREDS
Q28—THOUSANDS

Q29 & Q45—SOLENOID #8
Q30—SOLENOID #7
Q31—SOLENOID #6
Q32—OUTHOLE

D. GOTTLIEB & CO.		TITLE	SCHEMATIC DIAGRAM-
		USED ON	MASTER DRIVER
ISSUE DATE	REVISIONS	DRAWN	APPROVED DATE
1	5-78	REVISED	
		PB00-D110	