

NOTES:

1. UNLESS OTHERWISE INDICATED ALL RESISTOR VALUES ARE IN OHMS.

LAST NUMBERS USED

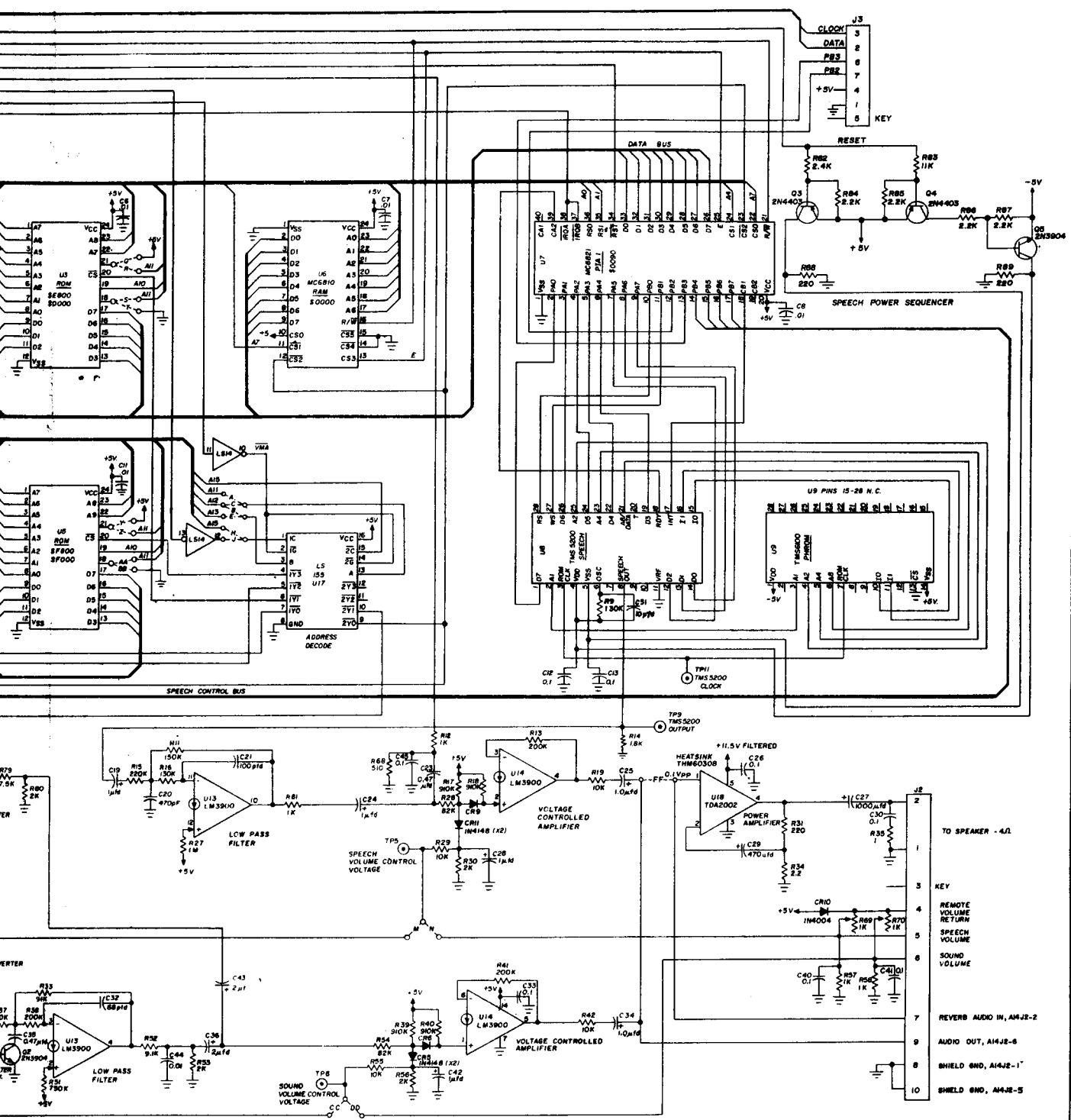
- R89
- C51
- CR0
- U1B
- VR2
- Q5
- TP12
- FF

SQUAWK & TALK TEST POINTS

- TP1- GND
- TP2- +5VDC
- TP3- +11.5VDC
- TP4- -5VDC
- TP5- SPEAKER VOLTAGE
- TP6- SOUND VOLUME CONTROL VOLTAGE
- TP7- AY3-8912 OUTPUT
- TP8- E PULSE
- TP9- TMS 5200 OUTPUT
- TP10- VMA
- TP11- TMS 5200 CLOCK
- TP12- RESET

SQUAWK & TALK JUMPERS

- FROM- ROM
- 2716 2316 A,B,D,R0,T,U,Y,X,AA
- 2532 9332 C,E,G,S,U,W,X,AA
- NO VOCALIZER H
- WITH VOCALIZER J
- 6802 MPU L (WITH 6810 RAM)
- 6802 MPU K (NO 6810 RAM)
- NO AY3-8912 EE
- NO "SAY IT AGAIN" FF



SQUAWK & TALK JUMPERS
 FROM - ROM JUMPERS
 2716 2316 A,B,D,R,O,T,U,Y,X,BB
 2532 9332 C,E,G,O,S,U,W,Y,AA
 NO VOCALIZER H
 WITH VOCALIZER J
 6808 MPU L (WITH 6810 RAM)
 6802 MPU H (NO 6810 RAM)
 NO AY3-8912 EE
 NO 'SAY IT AGAIN' FF

COMPUTER VOLUME CONTROL
 REMOTE VOLUME CONTROL
 CC M
 DD N

SPEECH SOUND
 CC M
 DD N

ALL RIGHTS RESERVED AND PROCESS DATA PERTAINING TO THE ABOVE IS THE PROPERTY OF BALLY MANUFACTURING CORP. NO PART OF THIS DOCUMENT IS TO BE REPRODUCED OR TRANSMITTED IN ANY FORM OR BY ANY MEANS WITHOUT THE EXPRESS WRITTEN PERMISSION OF BALLY MANUFACTURING CORP. IN CHICAGO, ILLINOIS.

DATE	1/25/81	BY	WJ
DESIGNED BY	WJ	CHECKED BY	WJ
MANUFACTURED BY	WJ	DATE	1/25/81
TESTED BY	WJ	DATE	1/25/81
APPROVED BY	WJ	DATE	1/25/81
NAME	WJ	DATE	1/25/81

Bally MANUFACTURING CORP.
 3440 BELMONT AVENUE
 CHICAGO, ILLINOIS 60641
 #1239