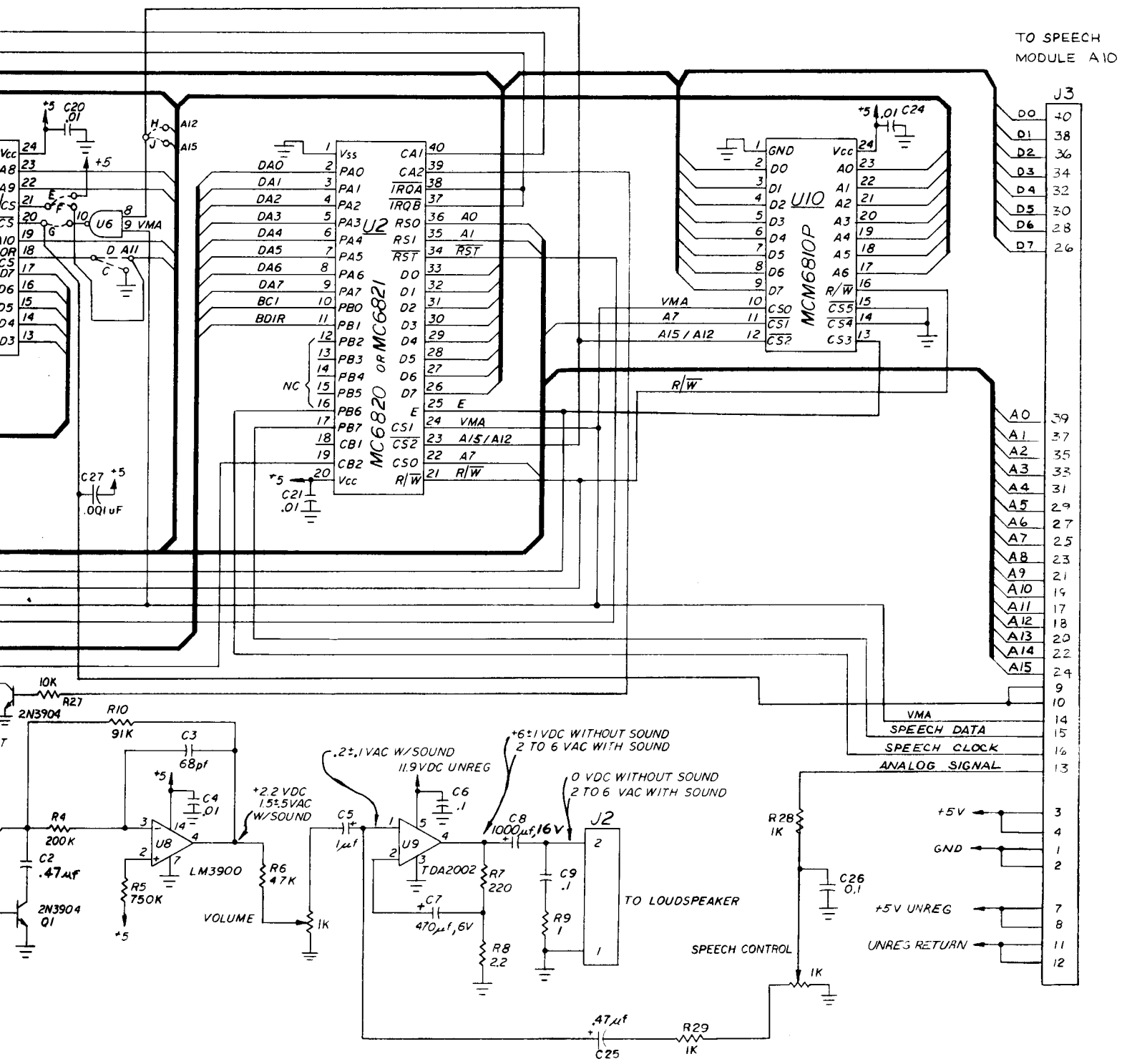


JUMPER	USE FOR...
A	6802 (WITHOUT 6810 UIO)
B	6808 (WITH 6810 UIO)
C	2K X 8 ROM OR EPROM OR 4K X 8 INTEL 2732 EPROM
D	4K X 8 ROM OR 4K X 8 T.I. 2532 EPROM
E	2K X 8 ROM OR EPROM OR 4K X 8 ROM OR 4K X 8 T.I. 2532 EPROM
F	4K X 8 INTEL 2732 EPROM
G	SOUNDS PLUS BOARDS USED WITHOUT VOCALIZER OPTION (REMOVE C27)
H	REPLACEMENT OF AS-2518-51 SOUND MODULE
J	VOCALIZER-MODULE-PROGRAMMED U4

NOTES:

1. UNLESS OTHERWISE INDICATED, ALL RESISTOR VALUES ARE IN OHMS. ALL CAPACITOR VALUES ARE IN MICROFARADS.
2. PREFIX ALL REFERENCE DESIGNATIONS WITH BOARD IDENTIFICATION.
3. * INDICATES "AID" TEST POINT.

OPBL.	DPT.	DESCRIPTION	TOOL NO.



ALL RESISTOR VALUES ARE IN OHMS, UNLESS OTHERWISE SPECIFIED.
CAPACITORS WITH A8.

ALL DESIGN, OPERATIVE AND PROCESS DATA PERTAINING TO THE ARTICLE SHOWN ON THIS SHEET IS THE PROPERTY OF BALLY MFG CORP. CHICAGO, ILL. THIS INFORMATION IS DISCLOSED IN CONFIDENCE AND IS NOT TO BE COPIED, REPRODUCED, REVEALED TO OR APPROPRIATED BY OTHERS IN PART OR IN WHOLE, WITHOUT THE EXPRESS CONSENT OF THE OWNERS. THE PRINT IS LOANED AND MUST NOT BE USED IN ANY MANNER DETRIMENTAL TO THE INTEREST OF THE OWNERS, AND MUST BE RETURNED ON DEMAND.						
REMOVE ALL BURRS	DR. BY EFC	DATE 5-19-80	Bally MANUFACTURING CORP. 2640 BELMONT AVENUE CHICAGO, ILLINOIS .1196			
TOLERANCES ON DIMENSIONS UNLESS OTHERWISE SPECIFIED FRACTIONS = 008 DECIMALS = .003 EXCEPT HOLE DIA. S ANGLES = 1:2	CK. BY AmcR	DATE 6-30-80				
DO NOT SCALE DRAWING	AP'D BY S.D.	DATE 7-28-80	NAME SOUNDS PLUS MODULE A8 SCHEMATIC			
	FINISH:					
	HARDENING:		MATERIAL			
NO.	LET.	CHANGE	DATE	BY	ASSEM. NO. USED AS-2518-56	SCALE A
PART NO. W-1211-1c						