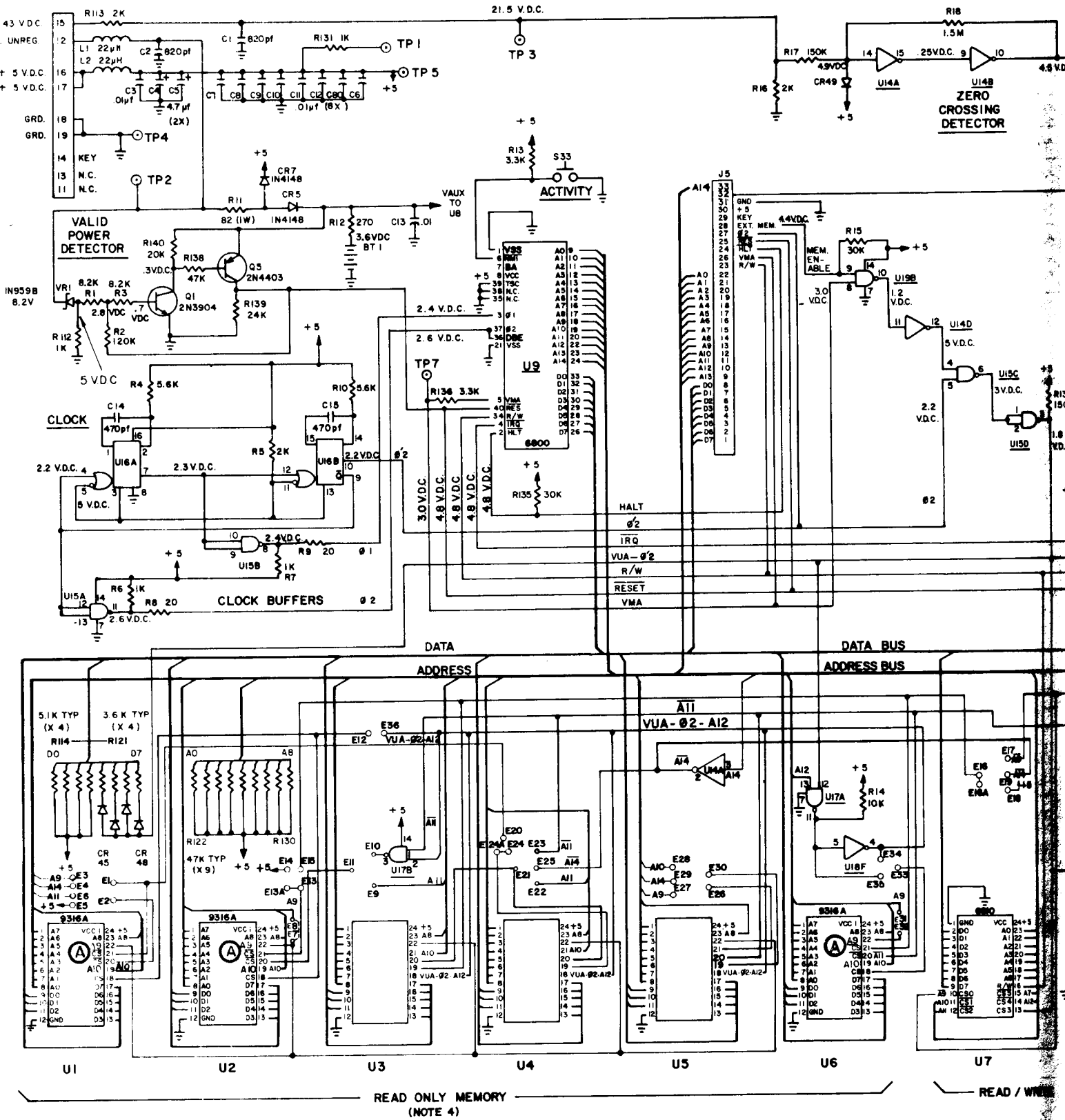


P/O J4

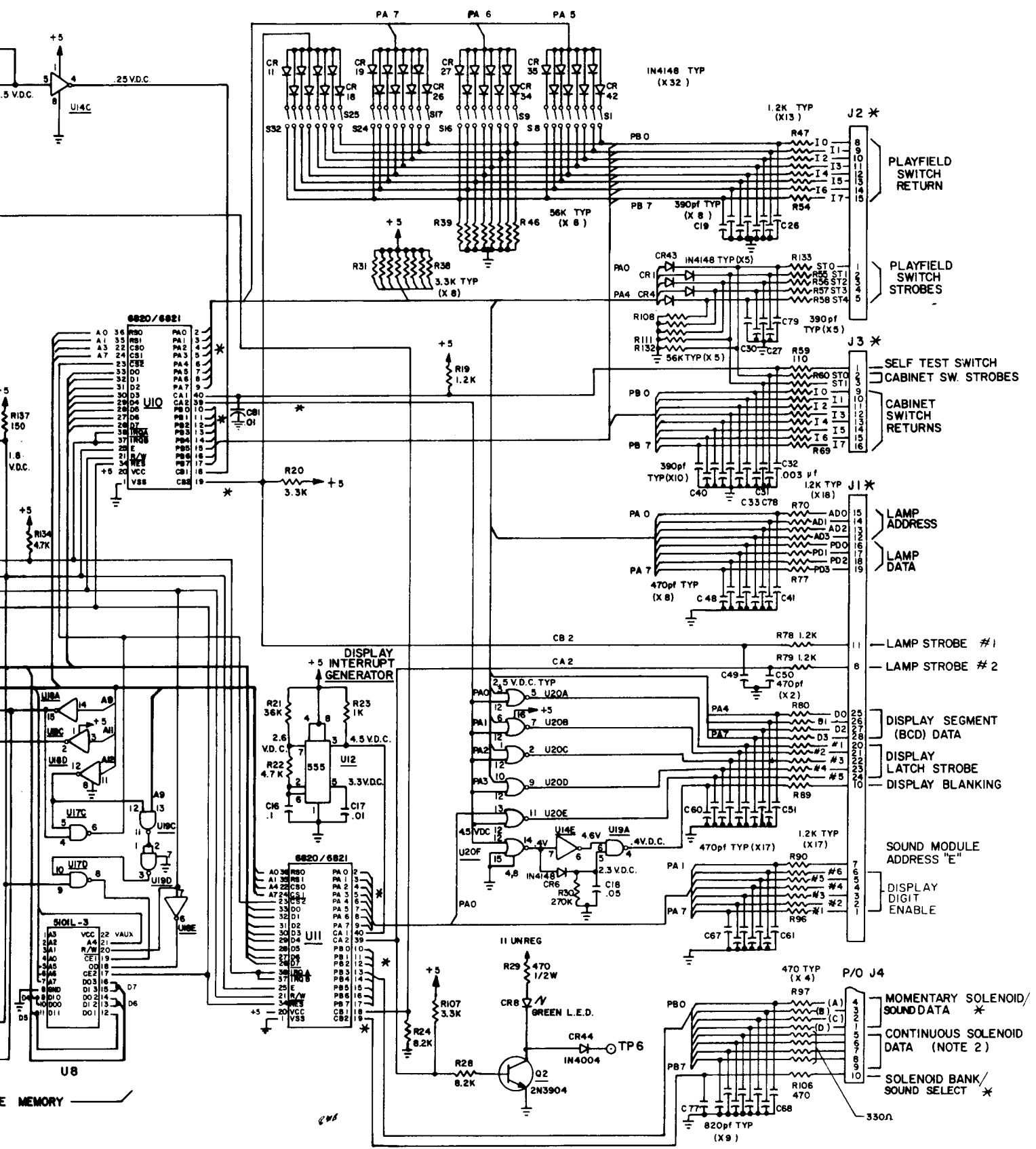


NOTES

1. * INDICATES "Aid" TEST POINT.
2. REMOVE A3J4 BEFORE USING AS AID TEST POINT
3. PREFIX ALL REFERENCE DESIGNATIONS WITH "A4"
4. EXACT CHIP COMPLEMENT USED IN SOCKETS U1 THRU U6 CAN VARY FOR DIFFERENT GAMES AND PRODUCTION LOTS. TABLES OF MEMORY CHIPS AND CORRESPONDING JUMPERS FOR DIFFERENT GAMES AVAILABLE FROM BALLY FIELD SERVICE DEPARTMENT.

READ ONLY MEMORY
(NOTE 4)

READ / WRITE



ALL DESIGN, OPERATIVE AND PROCESS DATA PERTAINING TO THE ARTICLE SHOWN ON THIS SHEET IS THE PROPERTY OF BALLY MFG. CO. CHICAGO, ILL. THIS INFORMATION IS DISCLOSED IN CONFIDENCE AND IS NOT TO BE COPIED, REPRODUCED, REVEALED TO OR APPROPRIATED BY OTHERS IN PART OR IN WHOLE WITHOUT THE EXPRESS CONSENT OF THE OWNERS. THE PRINT IS LOANED AND MUST NOT BE USED IN ANY MANNER DETRIMENTAL TO THE INTEREST OF THE OWNERS, AND MUST BE RETURNED ON DEMAND.

REMOVE ALL BURRS		DR. BY DATE E.V. 5-11-78		Bally MANUFACTURING CORP. 2640 BELMONT AVENUE CHICAGO, ILLINOIS 1119-E	
TOLERANCES ON DIMENSIONS UNLESS OTHERWISE SPECIFIED FRACTIONS = 1/64 DECIMALS = .005 ANGLES = 1°		CR. BY DATE E.M. 5-15-78		TOTAL SCALE	
DO NOT SCALE DRAWING		APPROVED BY DATE [Signature]		NAME M.P.U. CONTROL BOARD SCHEMATIC	
1 A A0 W08 VCC2 on U1, U2, U6 A10 W08 CS		PRINT: [Signature]		ASSEM NO USED ON W	
No. LET. CHANGE		DATE BY CK		MATERIAL	
				PART NO W-1181-3c	